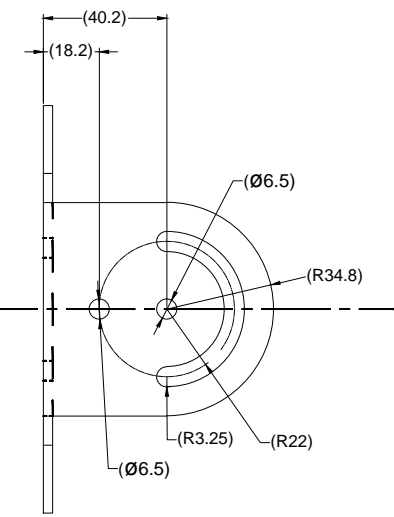
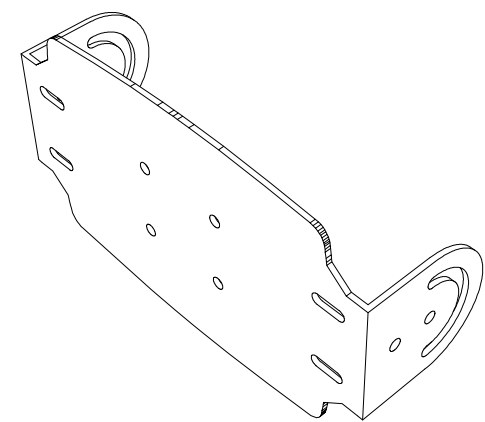
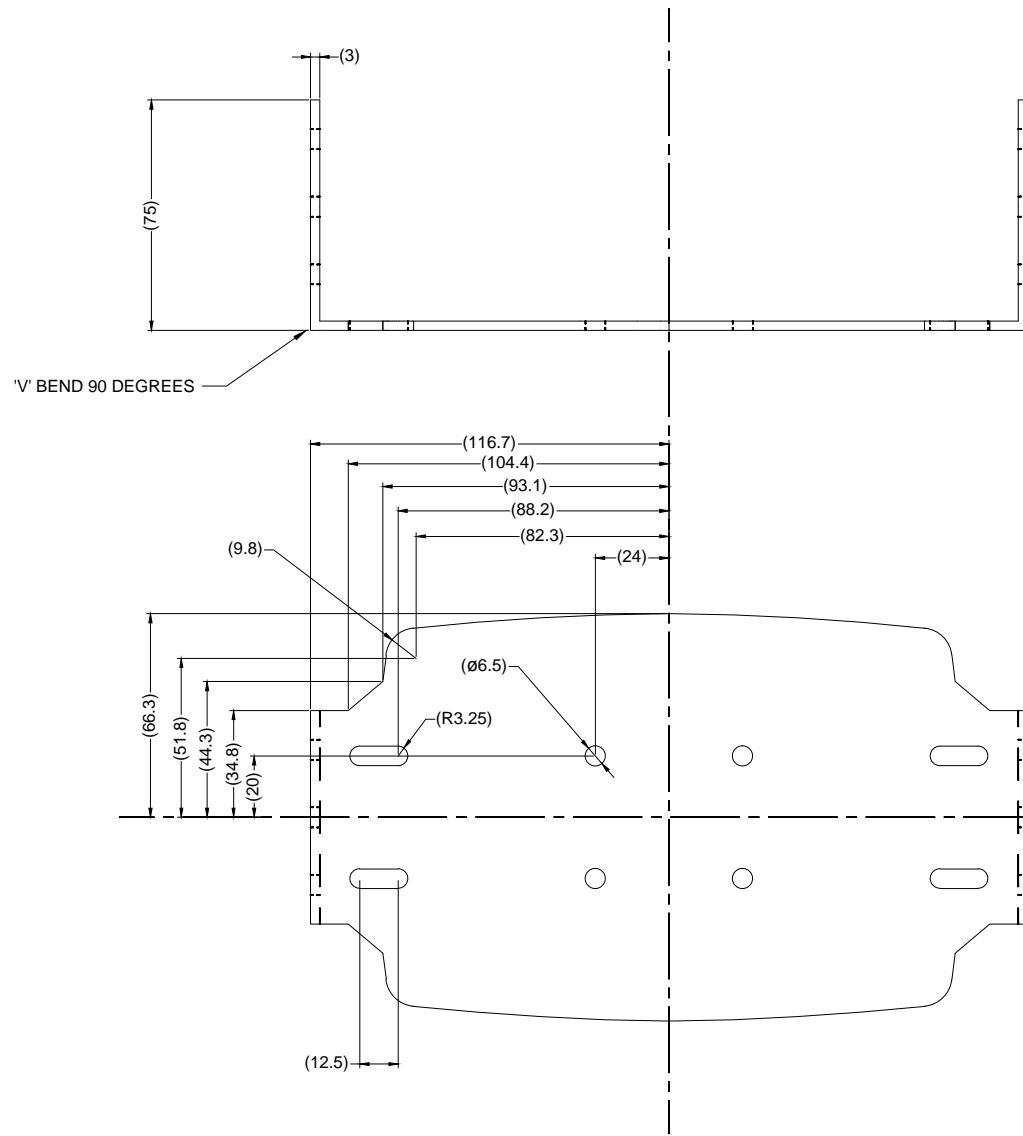


Revision Notes.				
R1 -				
APA: -	Drawn:-	Checked:-	Approved:-	Date: -



NOTES:
 1. MATERIAL: 3MM (10SWG) 4003 STAINLESS STEEL.
 2. FINISH: NATURAL.

PROPRIETARY NOTICE
 THIS DESIGN AND TECHNICAL INFORMATION APPEARING ON THIS DRAWING IS THE PROPERTY OF BRIGADE ELECTRONICS, AND IS DISCLOSED IN CONFIDENCE. IT IS NOT TO BE COPIED, REPRODUCED, REVEALED TO OR EXPROPRIATED BY OTHERS, EITHER IN WHOLE OR IN PART WITHOUT THE EXPRESS WRITTEN CONSENT OF BRIGADE ELECTRONICS.



Assembly PI Approval J.MILLER 27/05/14	Approved by B.JOHN	Checked by B.CHILDS	Drawn by P.MISSEN
Angle of Projection Third Angle	Units mm	Scale N/A	Released 27/05/14
Status RELEASED		Assembly Ref BKT-017(FP)	
Part No 4704		BE-002883-00-14	